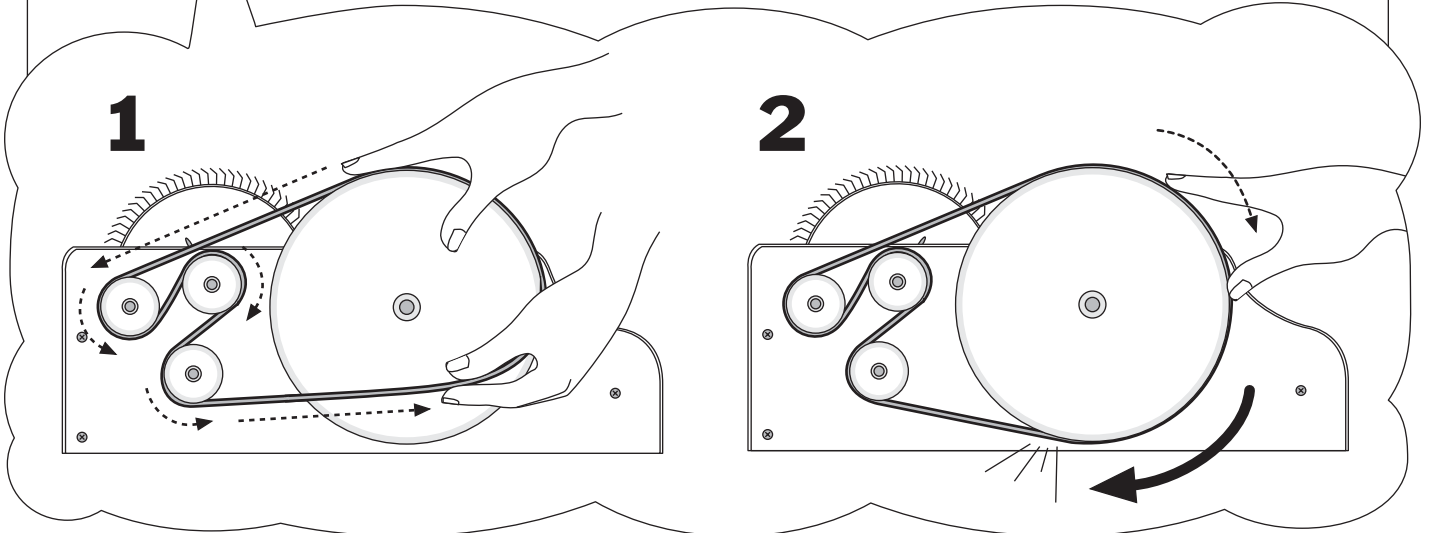
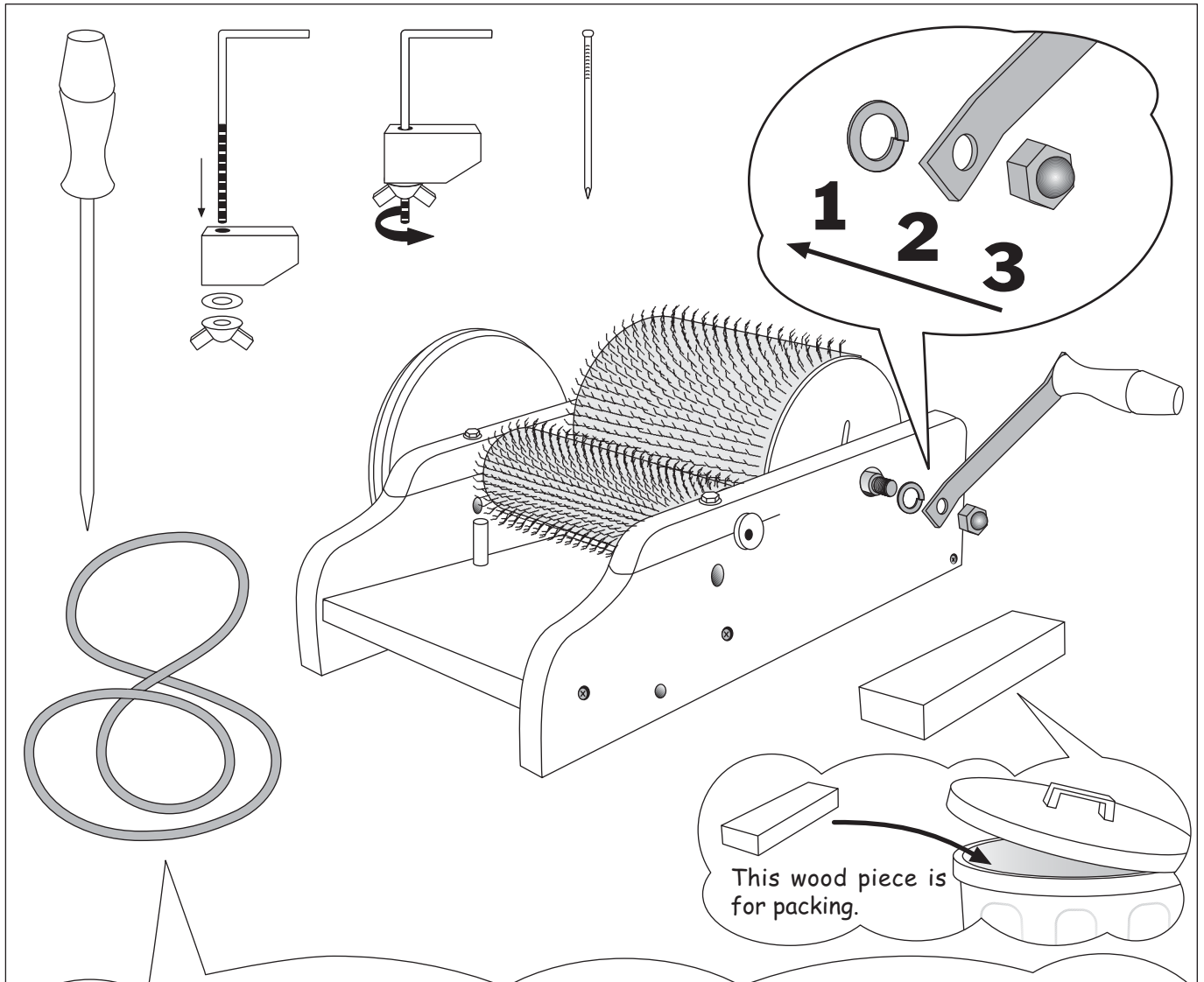
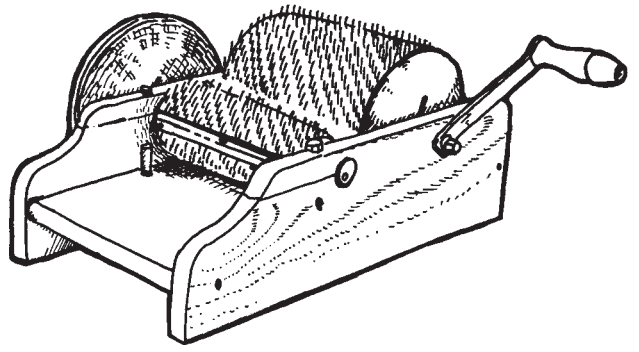
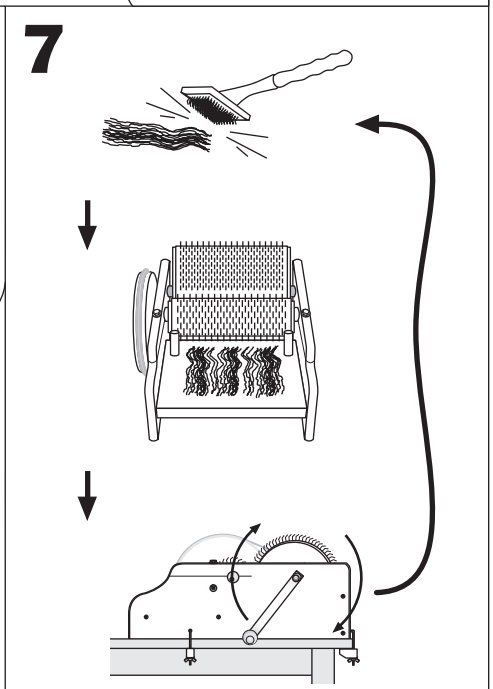
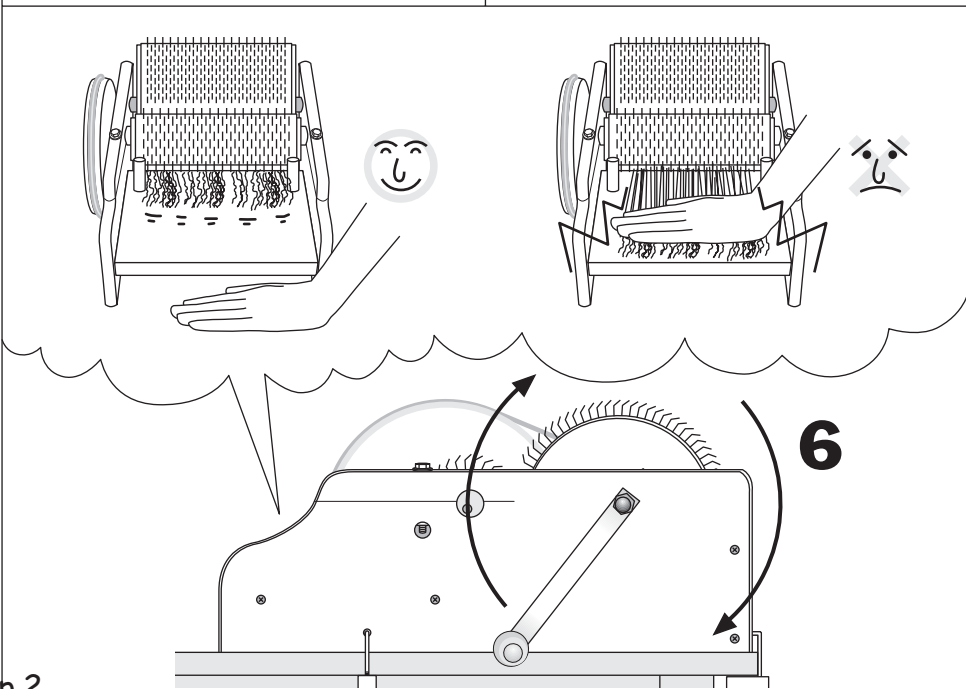
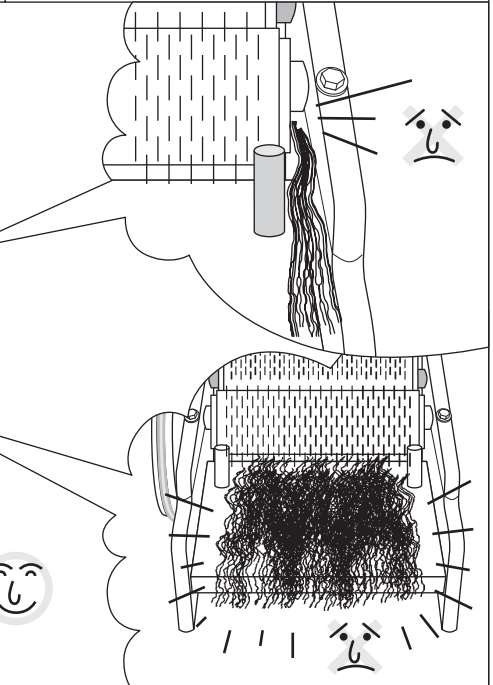
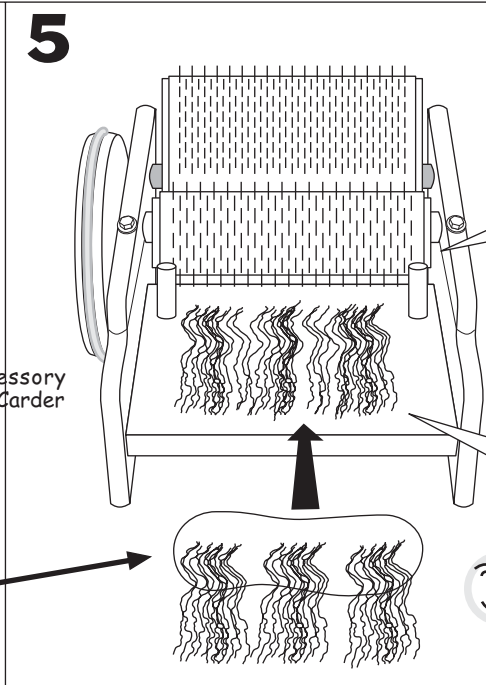
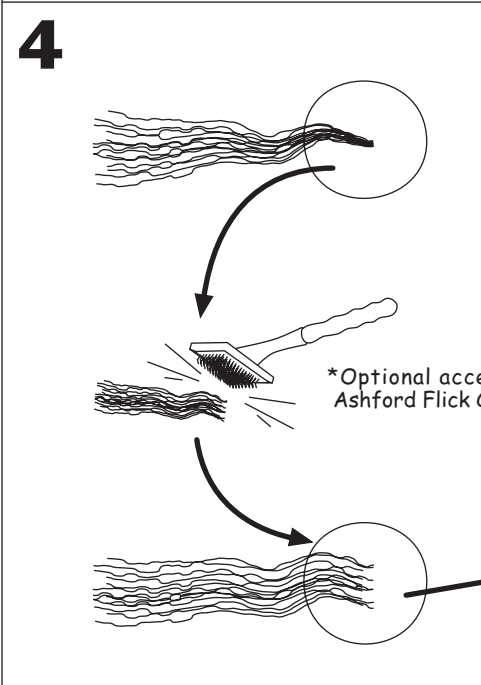
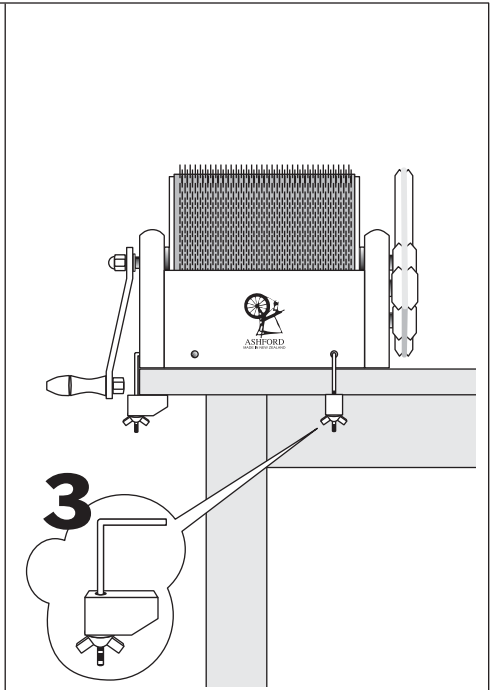
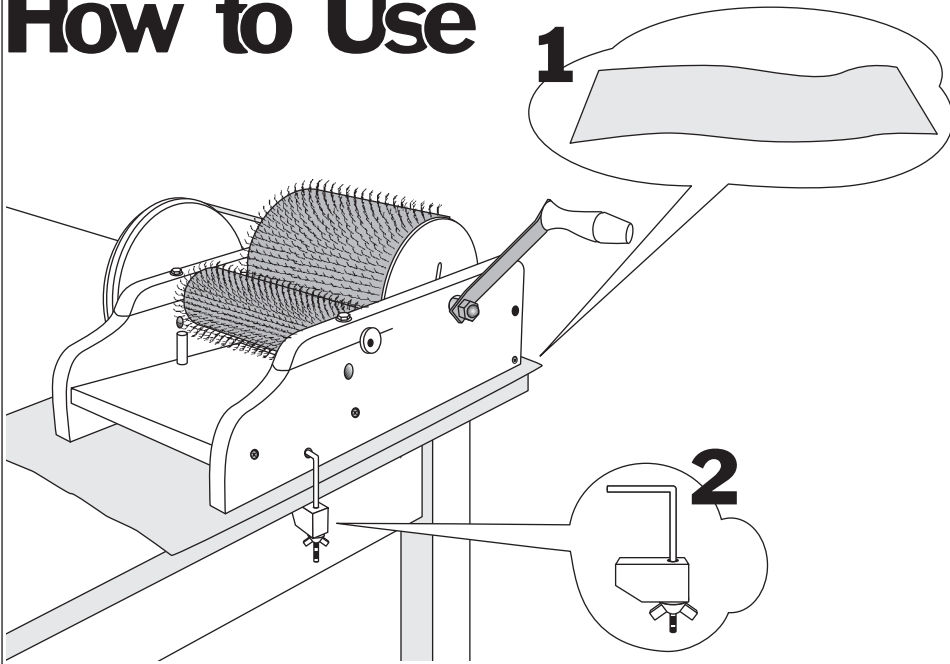


The Ashford Drum Carder

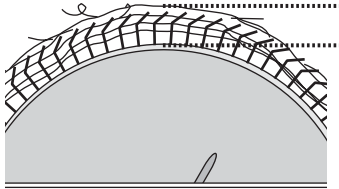
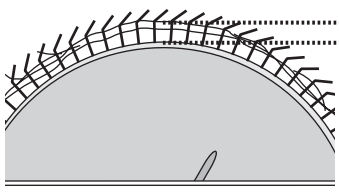
Assembly Instructions



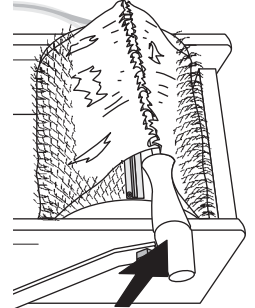
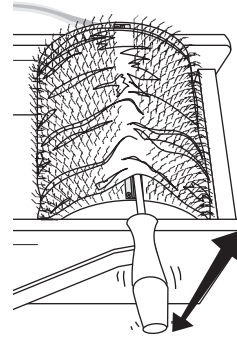
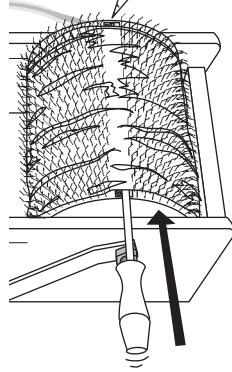
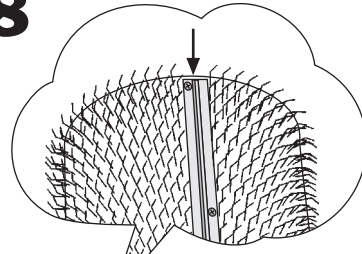
How to Use



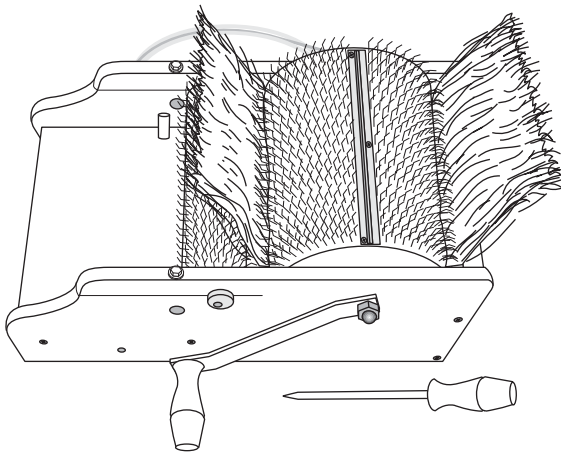
Check!



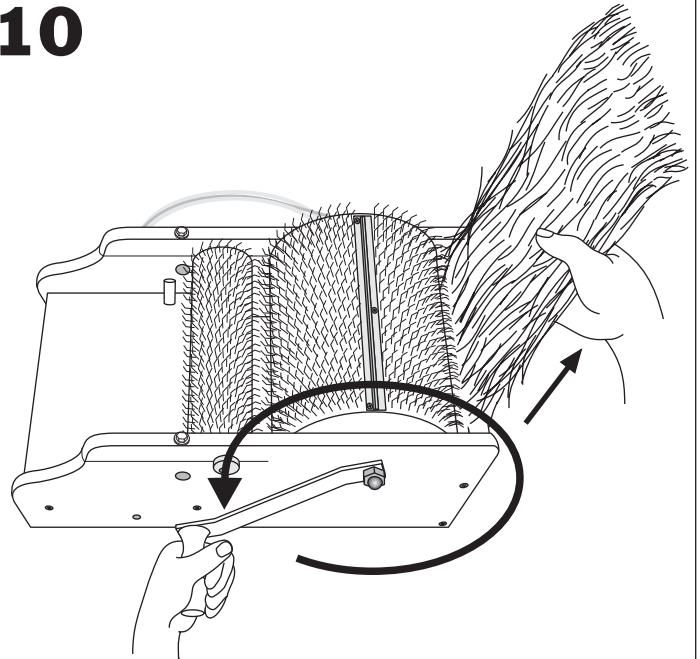
8



9



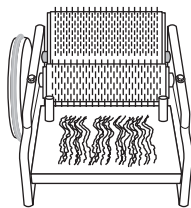
10



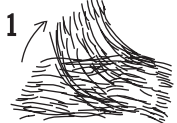
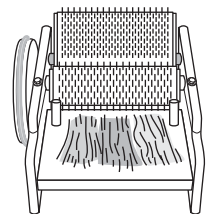
Hints!



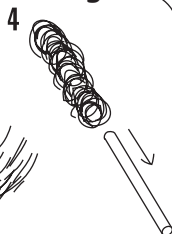
Second Carding



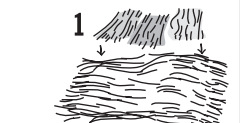
Mixing Colours



Rolags

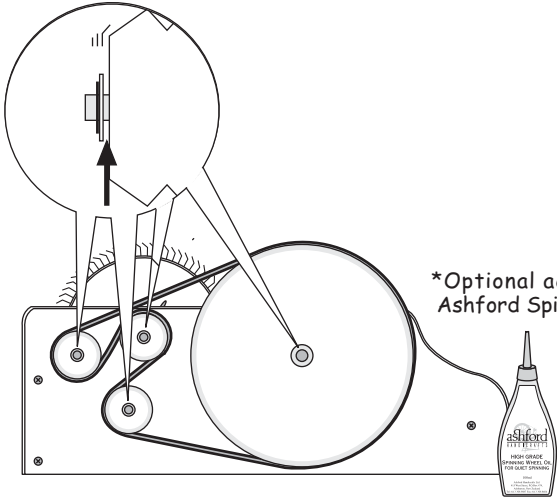


Felting

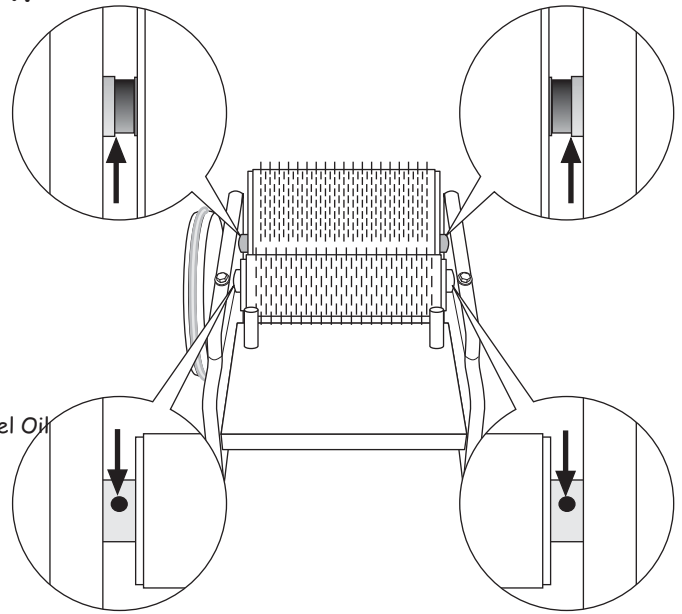


Maintaining

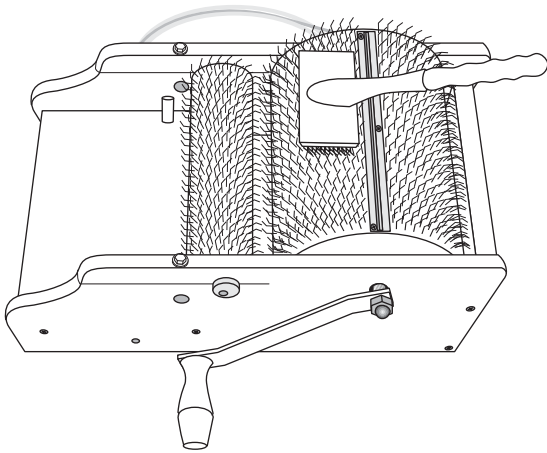
Oil



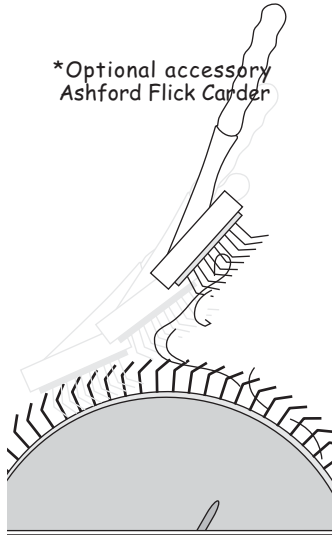
Oil



Cleaning -Carding cloth-



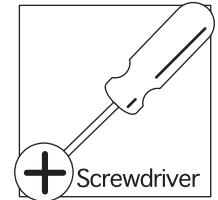
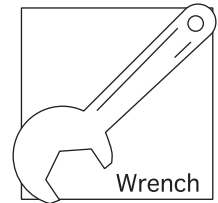
*Optional accessory
Ashford Flick Carder



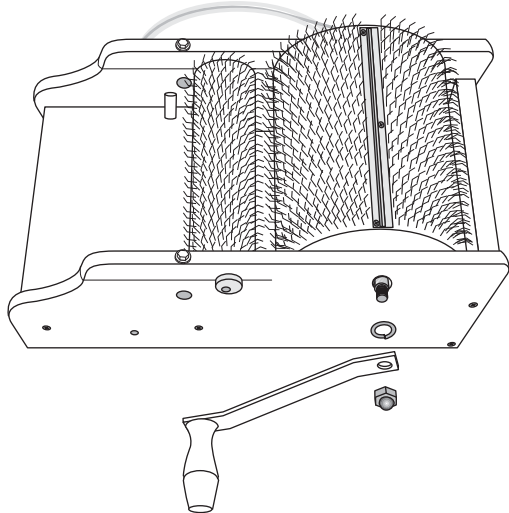
Cleaning -Drum shafts-

If you find the handle hard to t

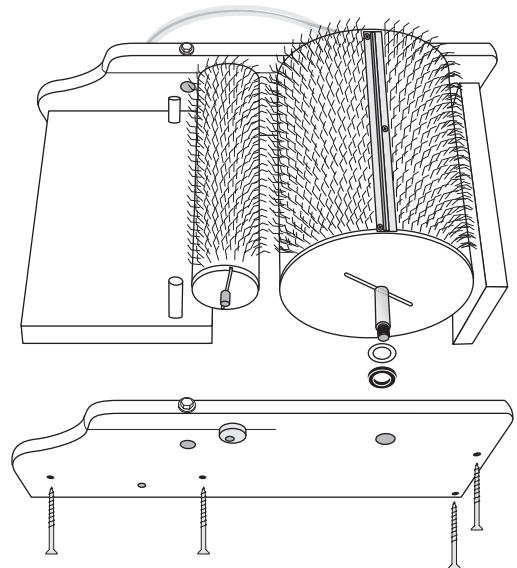
You will need ...



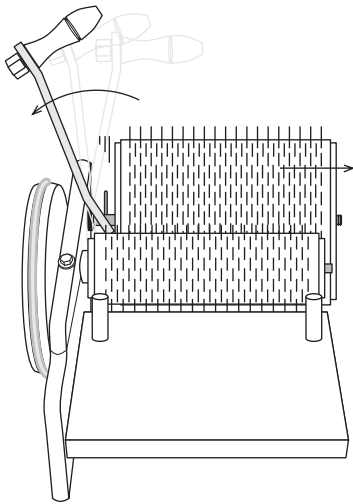
1



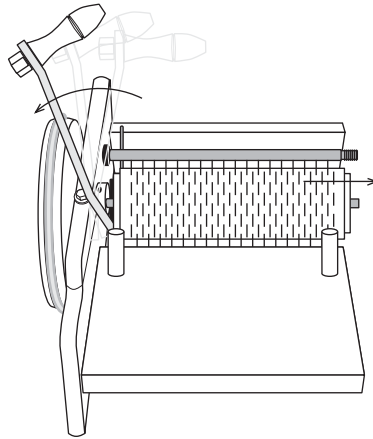
2



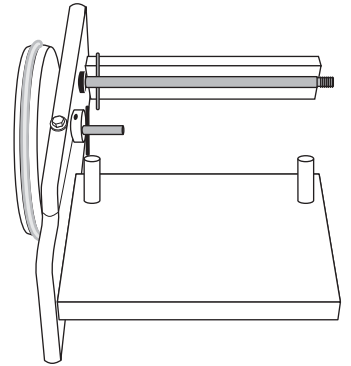
3



4

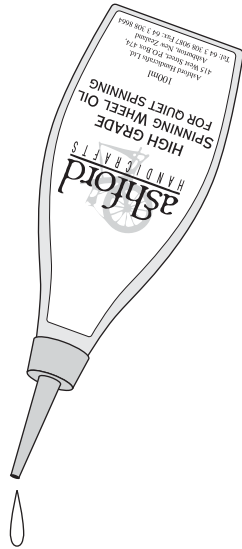


5



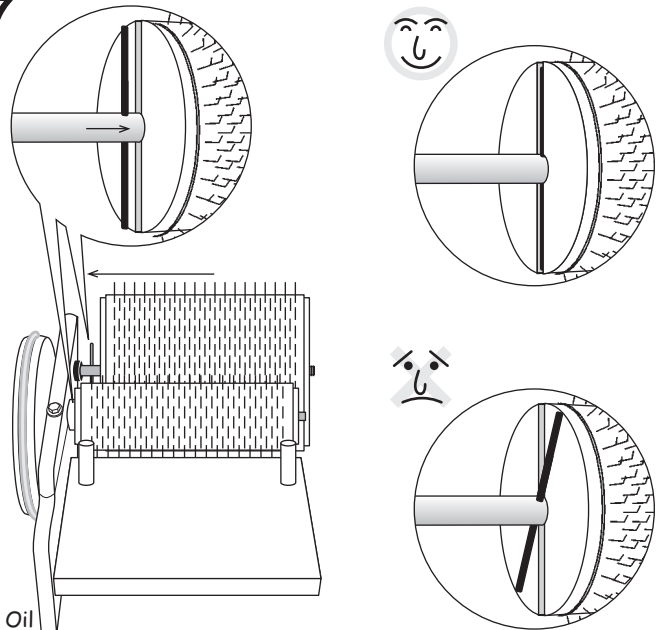
Reassembling Check!

6

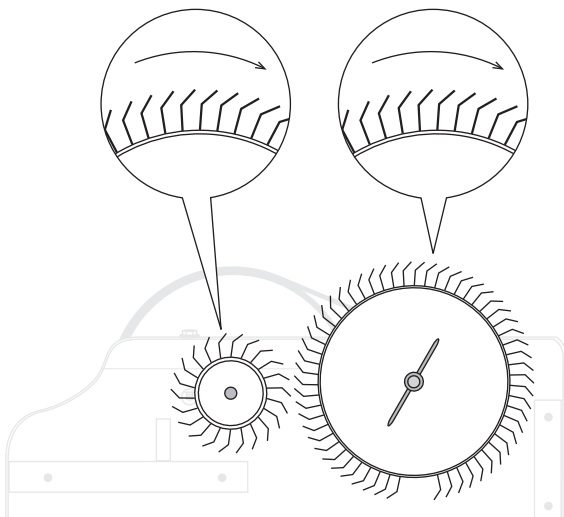


*Optional accessory
Ashford Spinning Wheel Oil

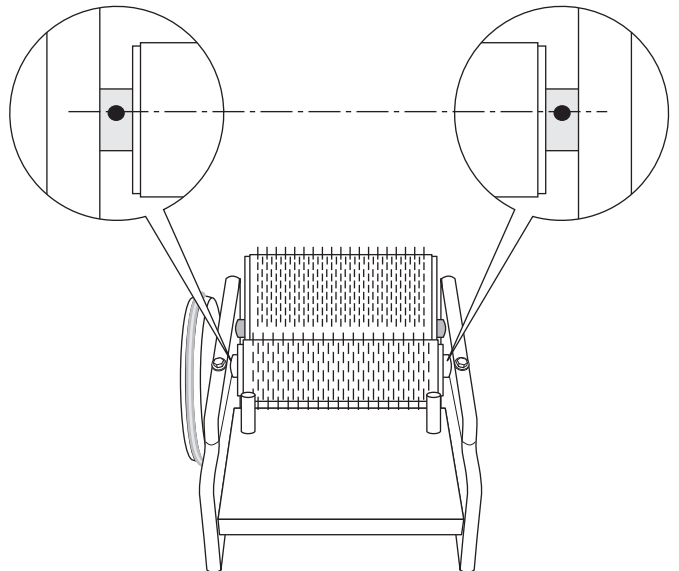
7



8

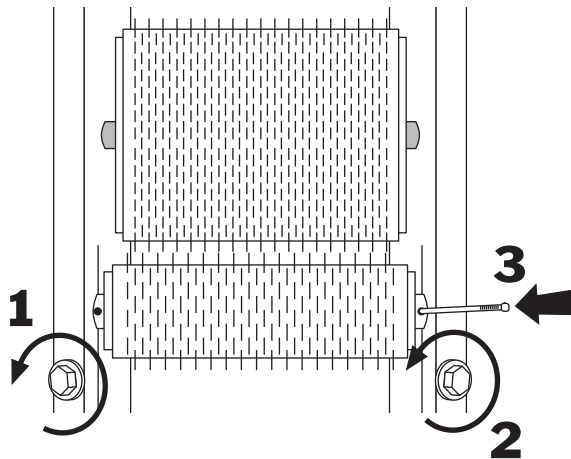
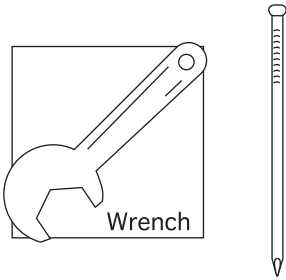


9

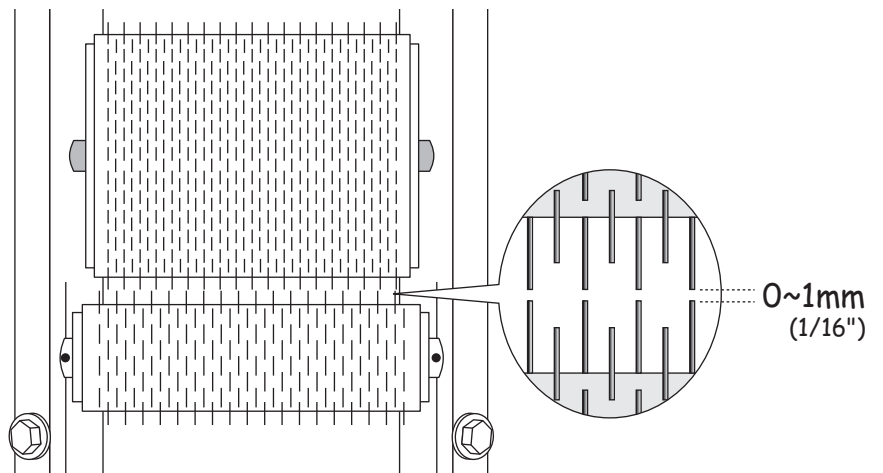
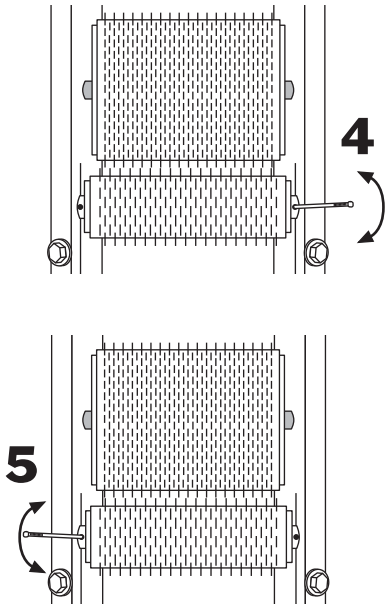
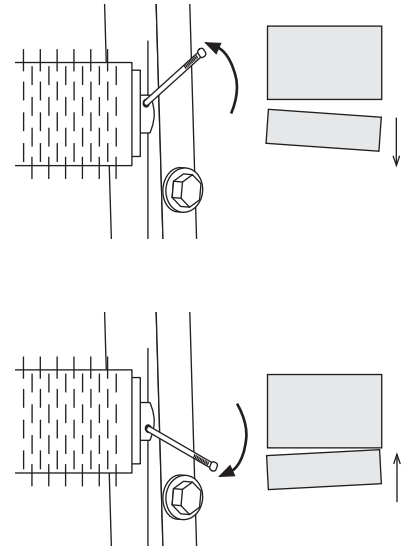


Adjusting -Gap between teeth-

You will need ...



Note!



Hint!

The dirt and grease in unwashed wool can reduce the life of the carder. Washed wool keep the carding cloth and teeth free from grease and grime.

To wash wool

